

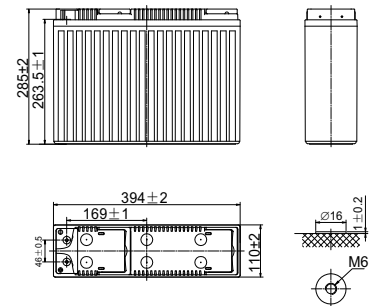
# VRLA AGM STANDBY RM12-110FT

## Specifications

Rated Voltage	12V	
Nominal Capacity	100.0Ah	(C <sub>10</sub> , 1.80V/cell)
Dimension	Length	394mm (15.5 inches)
	Width	110mm (4.33 inches)
	Container Height	285mm (11.2 inches)
	Total Height	285mm (11.2 inches)
Approx Weight	32.6 Kg (71.9 lbs)	
Terminal	M6	
Container Material	ABS	
Rated Capacity (25°C)	105.4 Ah	C20(5.27A, 1.80V/cell)
	100.0 Ah	C10(10.0A, 1.80V/cell)
	86.5 Ah	C5(17.3A, 1.75V/cell)
	78.6 Ah	C3(26.2A, 1.75V/cell)
	63.4 Ah	C1(63.4A, 1.67V/cell)
Max. Discharge Current	1000A (5s)	
Internal Resistance (25°C)	Approx 4.9mΩ	
Operating Temp. Range	Discharge	-15 ~ 50°C (5 ~ 122°F)
	Charge	0 ~ 40°C (32 ~ 104°F)
	Storage	-15 ~ 40°C (5 ~ 104°F)
Nominal Operating Temp. Range	25±3°C (77±5°F)	
Cycle Use	Initial Charging Current less than 30.0A. Voltage 14.4V~15.0V at 25°C(77°F)Temp. Coefficient -30mV/°C	
	Standby Use	
Effect of temp. to Capacity	Initial Charging Current less than 30.0A. Voltage 13.5V~13.8V at 25°C(77°F)Temp. Coefficient -20mV/°C	
	40°C (104°F)	103%
	25°C (77°F)	100%
Self Discharge	0°C (32°F)	86%
	Batteries may be stored for up to 6 months at 25°C(77°F) and then a freshening charge is required. For higher temperatures the time interval will be shorter.	



## Layout



## Constant Current Discharge (Amperes) at 25 °C (77°F)

F.V/Time	15min	30min	1h	2h	3h	4h	5h	8h	10h	20h
1.85V/cell	128.1	82.7	52.2	31.3	23.6	18.8	15.7	11.1	9.32	4.91
1.80V/cell	149.0	93.6	57.7	34.1	25.6	20.3	16.9	11.9	10.0	5.27
1.75V/cell	157.6	97.8	59.9	35.1	26.2	20.8	17.3	12.1	10.1	5.29
1.70V/cell	166.6	102.1	62.1	36.2	27.0	21.3	17.7	12.3	10.2	5.38
1.65V/cell	171.8	104.7	63.4	36.8	27.4	21.6	17.9	12.4	10.4	5.48
1.60V/cell	184.1	110.6	66.4	38.4	28.4	22.3	18.5	12.7	10.6	5.58

## Constant Power Discharge (Watts/cell) at 25 °C (77°F)

F.V/Time	15min	30min	1h	2h	3h	4h	5h	8h	10h	20h
1.85V/cell	246.1	159.9	101.4	61.2	46.3	37.0	31.0	21.9	18.4	9.89
1.80V/cell	283.2	179.3	111.5	66.3	49.9	39.7	33.2	23.4	19.6	10.4
1.75V/cell	296.5	185.8	114.8	67.9	51.0	40.6	33.9	23.8	19.8	10.5
1.70V/cell	309.8	192.2	118.2	69.7	52.3	41.4	34.6	24.2	20.1	10.7
1.65V/cell	317.8	196.0	120.0	70.6	52.9	41.9	34.9	24.4	20.3	10.7
1.60V/cell	334.3	204.5	124.7	73.0	54.5	43.1	35.8	24.9	20.6	10.9

## Applications

- UPS and EPS
- Emergency light
- Railway signal and aircraft signal system
- Marine and power stations
- Alarm and security system
- Electronic apparatus and equipment
- Communication power supply, DC power supply

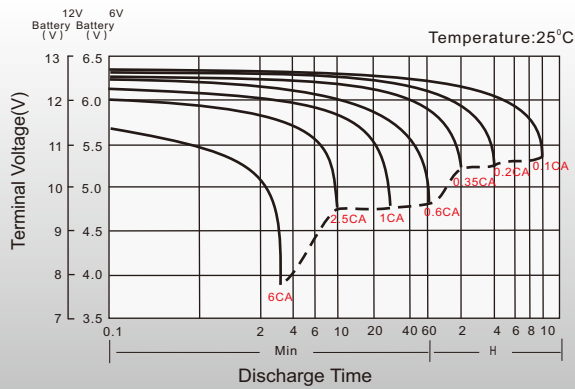
## General Features

- 12 years design life(25°C)
- Grid refining technology and the thicker plates are used to extend the battery standby life and reduce the plate grid corrosion speed
- Using oxygen recombination technology: maintenance-free
- Unique vent valve design: control water losing, prevent air and spark going inside

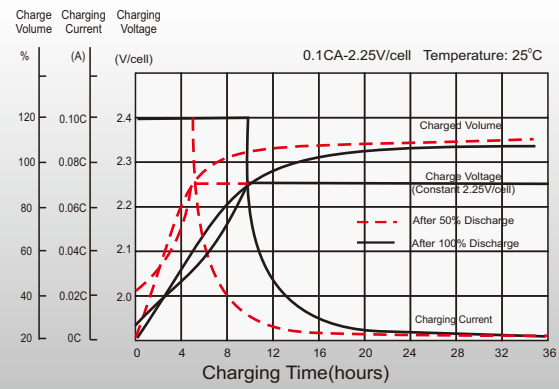
## Standards

- Compliance with IEC 60896 standards, EU Battery Directive
- UL, CE Certified
- Manufactured in Leoch@TS16949, OHSAS 18001, ISO 9001 and ISO 14001 certified production facilities

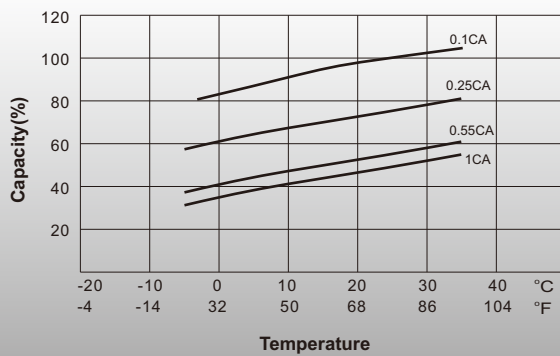
### Discharge Characteristics



### Float Charging Characteristics



### Temperature Effects in Relation to Battery Capacity



### Effect of Temperature on Long Term Float Life

